

### TECHNICAL FEATURES

Enclosure manufactured from sheet steel, supplied with cable entry and blank reversible door, complete with 2 rack profiles mounted towards the front.

Enclosure suitable for the assembly of both 2 additional rack profiles on the back and a mounting plate. Rack profiles manufactured from galvanized sheet steel. Rain canopy manufactured from sheet steel.

### PAINT FINISH

- Double layer of special powder coating: epoxy polyester resin primer and second polyester layer with anticorrosion pigments.
- Colour: RAL 7035 smooth finish.

### SUPPLY

- Enclosure
- Door provided with locking system with Viro key and zinc passivated rails
- Cable entry plate with sealing gasket
- 2 rack profiles
- Rain canopy
- Screws for earth connection and mounting accessories.

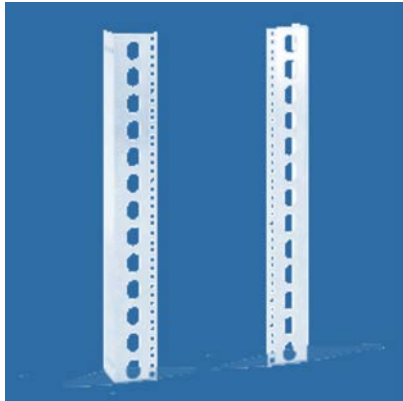


### PROTECTION RATING

- IP66 complying with EN60529
- NEMA 4 (single door) NEMA 12 (double door) complying with NEMA 250
- protection degree guaranteed by the two component foam seal
- Impact resistance IK10 complying with EN62262.

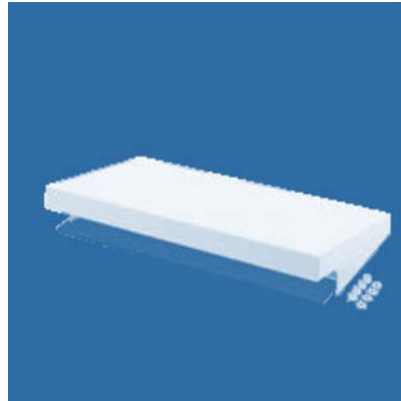
CODE	U	DIMENSIONS (MM)		
		WIDTH	HEIGHT	DEPTH
BOX ABACUS PRO - OUTDOOR APPLICATION WITH BLANK DOOR				
APRO6540BO	10	600	500	400
APRO6550BO	10	600	500	500
APRO6560BO	10	600	500	600
APRO6640BO	13	600	600	400
APRO6650BO	13	600	600	500
APRO6660BO	13	600	600	600
APRO6840BO	17	600	800	400
APRO6850BO	17	600	800	500
APRO6860BO	17	600	800	600

*Note: Further dimensions available on request.*



### 19" RACK PROFILES

CODE	HEIGHT (U)
AEP0270	500 (10)
AEP0271	600 (13)
AEP0272	800 (17)



### RAIN CANOPY

CODE	WIDTH	DEPTH
AEP0300	600	400
AEP0301	600	500
AEP0302	600	600



### POLE MOUNTING KIT

**CODE: FPST-001**

To fix the box to a pole with round or rectangular section. Rail manufactured from galvanized sheet steel and clamp collar.

**SUPPLY:**

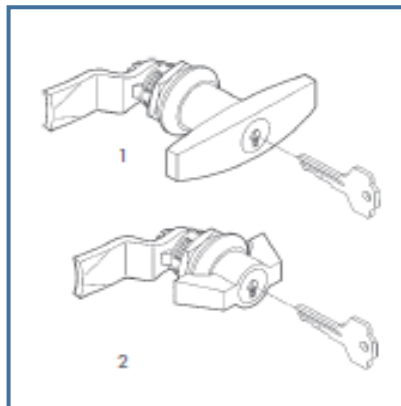
Nr. 2 rails and nr. 2 clamps with mounting accessories.



### WALL-MOUNTING BRACKETS

**CODE: SDWC-010**

Manufactured from zinc passivated steel 2.5 mm. Supply include nr. 4 pieces.



### HANDLES

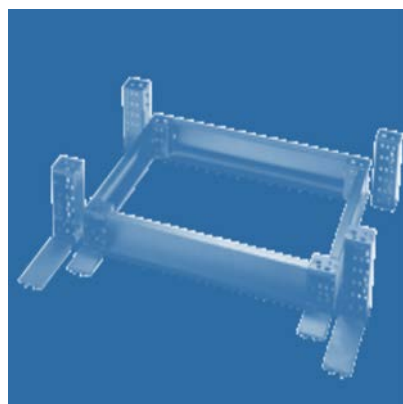
CODE	DESCRIPTION
AEP0270	VIRO INSERT WITH KEY
AEP0271	T-HANDLE WITH KEYLOCK
AEP0272	WING HANDLE WITH KEYLOCK

### MOUNTING PLATE

Manufactured from galvanised steel 2.5mm

### MOUNTING PLATE

CODE	WIDTH	DEPTH
WPAZ-ST65	600	500
WPAZ-ST66	600	600
WPAZ-ST68	600	800



### MODULAR PLINTH

CODE	DESCRIPTION	DIMS (mm)
APZE-A100	CORNER PIECE (4)	100
APZE-A200	CORNER PIECE (4)	200
APZE-T0600	FRONT CROSS PIECE (2)	600
APZE-T0400B	SIDE CROSS PIECE (2)	400
APZE-T0500B	SIDE CROSS PIECE (2)	500
APZE-T0600B	SIDE CROSS PIECE (2)	600

**Note:** To order the plinth H=200, please add D to the front/side cross piece CODE (i.e. APZE-T0600D). To order the plinth in the ventilated version add S to the front cross piece CODE (i.e. APZE-T0600S).

MODULAR PLINTH consisting corner and front / side supports. Powder coated RAL 9011 textured finish.